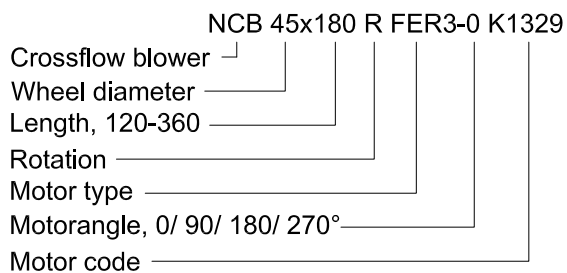


NCB 45x120-360

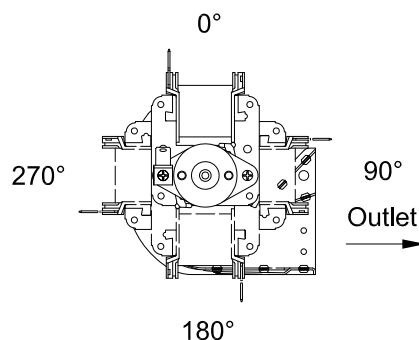
Blower	A	B	C	D	E
NCB 45x120	120	144	42-60	39	47
NCB 45x180	180	204	42-60	69	77
NCB 45x240	240	264	42-60	89	106
NCB 45x300	300	324	42-60	128	136
NCB 45x360	360	384	42-60	158	166

Standard for all motor types: Insulation class B or H, 230/50 alt. 120/60 Volt/Hz
 The NCB 45 blower can also be supplied with a heating element.

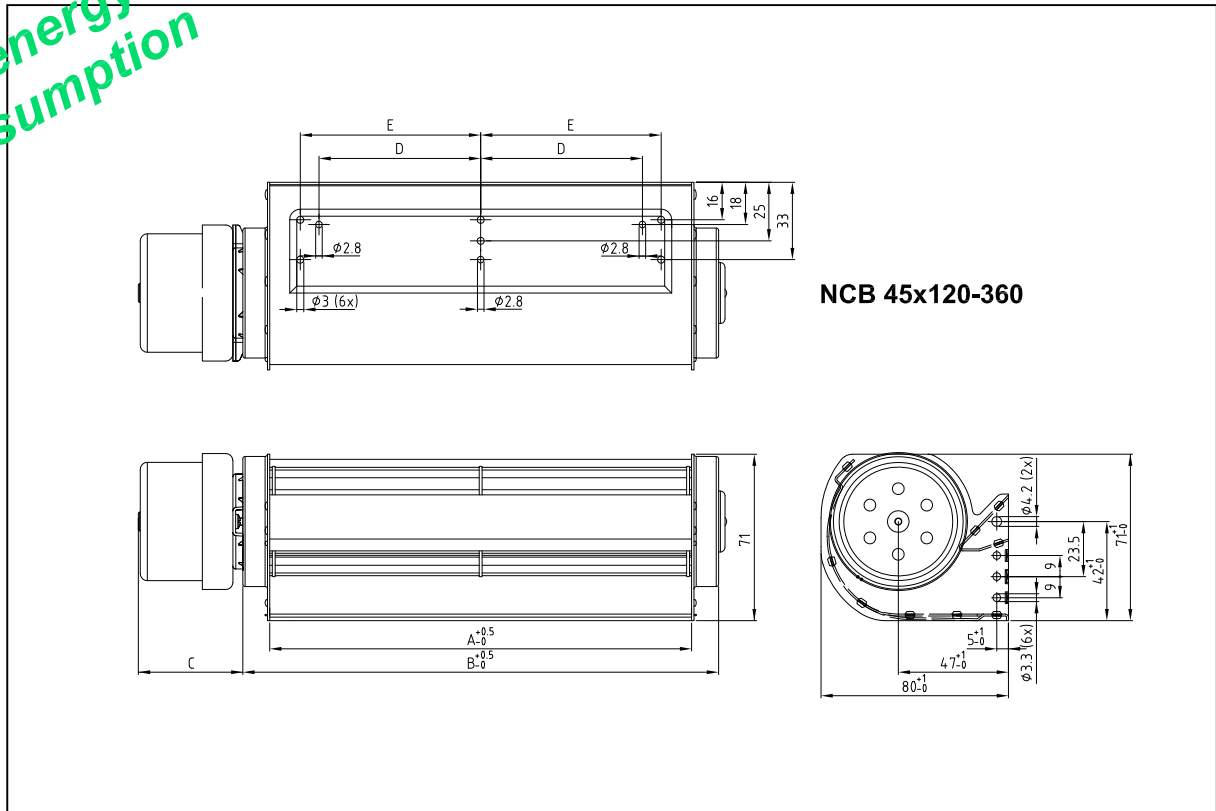
Crossflow blower description example:



Alternative motor angles:



Low energy consumption



The 45 mm diameter tangential crossflow blower can be supplied in the below described lengths with a 12, 24 or 48 Volt brushless DC motor. The tangential crossflow blower offers benefits in its size, low noise level, evenly distributed airflow and the ability to apply different forms of speed control.

Blower	A	B	C	D	E	Airflow	Power consumption
NCB 45x120	120	144	45	39	47	100 m ³ /h	6.7 W
NCB 45x180	180	204	45	69	77	144 m ³ /h	8.64 W
NCB 45x240	240	264	45	89	106	173 m ³ /h	11.0 W
NCB 45x300	300	324	45	128	136	212 m ³ /h	11.3 W
NCB 45x360	360	384	45	158	166	246 m ³ /h	12.5 W

Crossflow blower description example:

NCB 45x180 R DC7 12V K1452

Crossflow blower —┐
 Wheel diameter —┐
 Length, 120-360 —┐
 Rotation —┐
 Motor type —┐
 Voltage —┐
 Motor code —┐