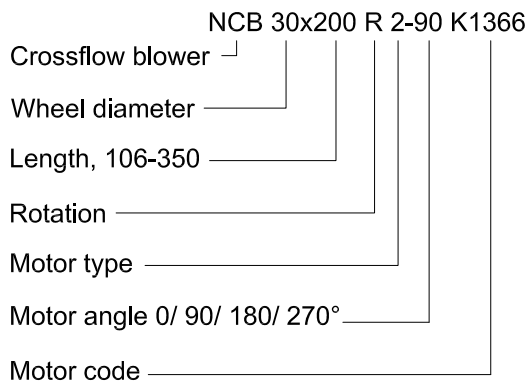
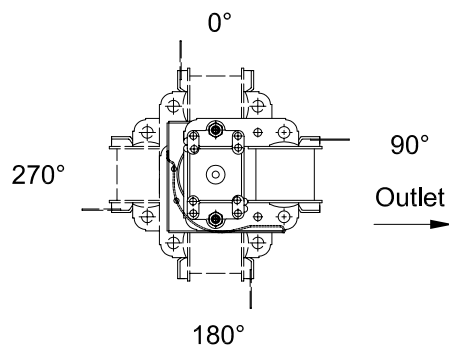


Blower	A	B	C	D
NCB 30x106	104	114	124	40-60
NCB 30x150	148	158	168	40-60
NCB 30x200	198	208	218	40-60
NCB 30x230	228	238	248	40-60
NCB 30x250	248	258	268	40-60
NCB 30x300	302.6	312.6	322.6	40-60
NCB 30x350	352.6	362.6	372.6	40-60

Crossflow blower description example:



Alternative motor angles:

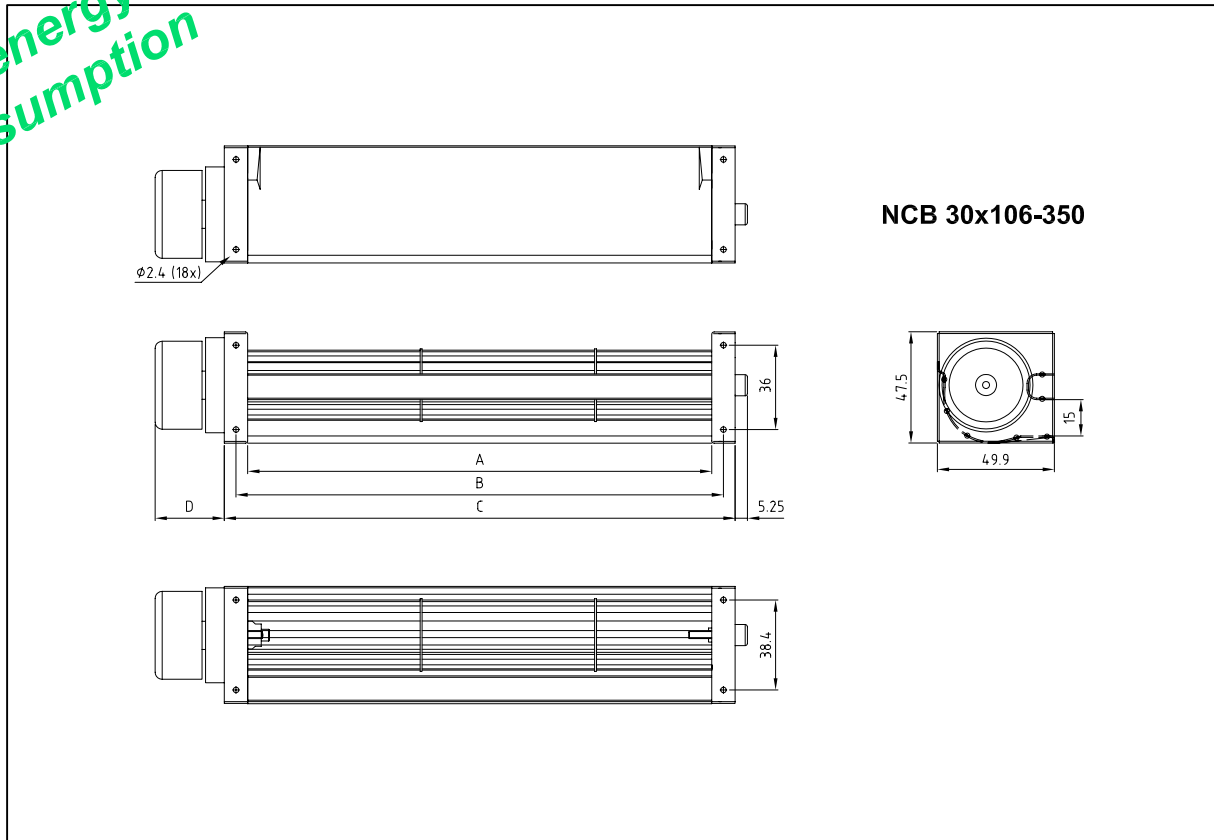


Motor: FER 1 Motor: FER 2 Motor: FER 2+ Motor: FER 3 Motor: FER 4

Blower	Airflow	Airflow	Airflow	Airflow	Airflow
NCB 30x106	21 m ³ /h	27 m ³ /h	28 m ³ /h	29 m ³ /h	30 m ³ /h
NCB 30x150	29 m ³ /h	36 m ³ /h	39 m ³ /h	42 m ³ /h	43 m ³ /h
NCB 30x200	35 m ³ /h	45 m ³ /h	50 m ³ /h	54 m ³ /h	60 m ³ /h
NCB 30x230	37 m ³ /h	50 m ³ /h	56 m ³ /h	57 m ³ /h	68 m ³ /h
NCB 30x250	39 m ³ /h	55 m ³ /h	64 m ³ /h	60 m ³ /h	75 m ³ /h
NCB 30x300	46 m ³ /h	65 m ³ /h	70 m ³ /h	79 m ³ /h	85 m ³ /h
NCB 30x350	53 m ³ /h	65 m ³ /h	80 m ³ /h	100 m ³ /h	106 m ³ /h

Airflow measured at 0 Pa and free air. Individual motor differences can occur.
Standard for all motor types: Insulation class: B or H, Volt/Hz: 230/50 alt. 120/60.

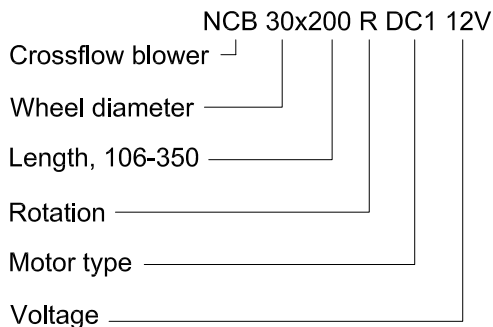
Low energy consumption



The 30 mm diameter tangential crossflow blower can be supplied in the below described lengths with a 12, 24 or 48 Volt brushless DC motor. The tangential crossflow blower offers benefits in its size, low noise level, evenly distributed airflow and the ability to apply different forms of speed control.

Blower	A	B	C	D	Airflow	Power consumption
NCB 30x106	104	114	124	29.5	48 m ³ /h	6.5 W
NCB 30x150	148	158	168	29.5	68 m ³ /h	7.6 W
NCB 30x200	198	208	218	29.5	90 m ³ /h	8.2 W
NCB 30x230	228	238	248	29.5	96 m ³ /h	8.4 W
NCB 30x250	248	258	268	29.5	104 m ³ /h	8.6 W
NCB 30x300	302.6	312.6	322.6	35.5	125 m ³ /h	9.1 W
NCB 30x350	352.6	362.6	372.6	35.5	136 m ³ /h	9.9 W

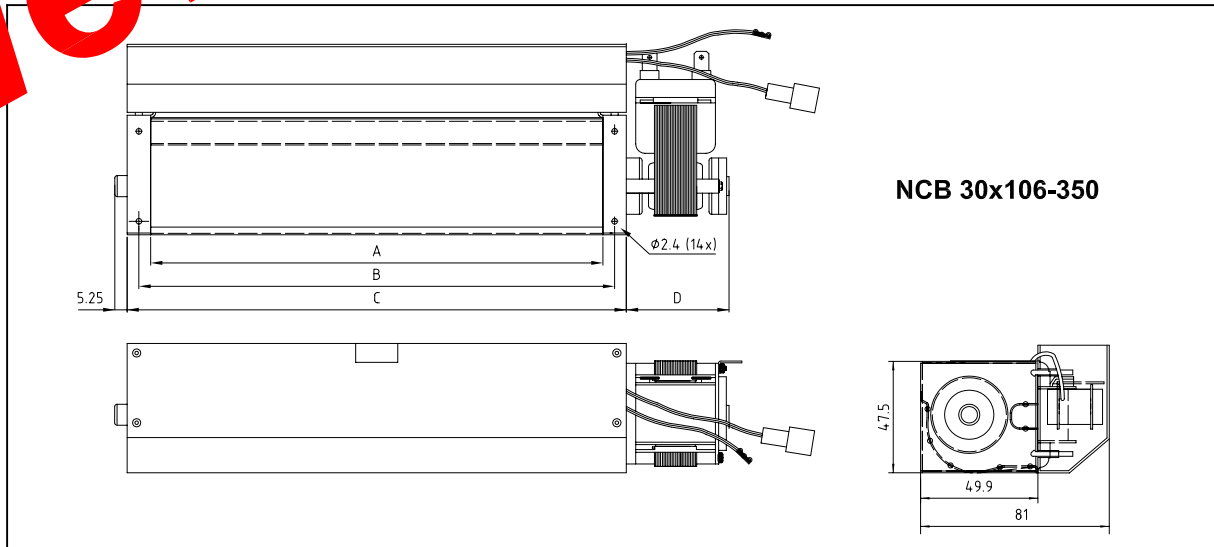
30mm DC Crossflow blower description example :



Experts in moving air



News



NCB 30x106-350

Blower	A	B	C	D
NCB 30x106	104	114	124	40-60
NCB 30x150	148	158	168	40-60
NCB 30x200	198	208	218	40-60
NCB 30x230	228	238	248	40-60
NCB 30x250	248	258	268	40-60
NCB 30x300	302.6	312.6	322.6	40-60
NCB 30x350	352.6	362.6	372.6	40-60

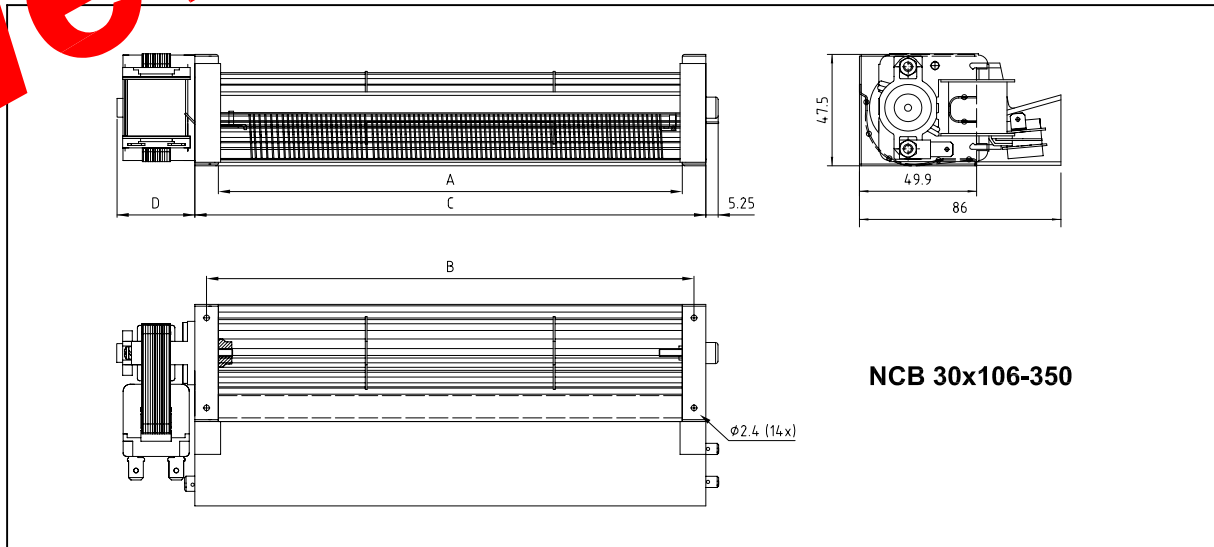
NCB30 heater for Warming Drawer Application

- Feature Fergas patented element attachment method for fast and reliable assembly
- Standard unit is NCB 30x300 with 400W heater. We welcome customization!
- Very quiet operation
- Available in 120V 60Hz or 230V 50Hz versions
- UL resp. VDE approved motors
- Flexible power and airflow options

Blower	Motor: FER 1	Motor: FER 2	Motor: FER 3	Motor: FER 4
	Airflow	Airflow	Airflow	Airflow
NCB 30x106	20 m ³ /h	22 m ³ /h	24 m ³ /h	26 m ³ /h
NCB 30x150	26 m ³ /h	30 m ³ /h	34 m ³ /h	37 m ³ /h
NCB 30x200	32 m ³ /h	40 m ³ /h	43 m ³ /h	50 m ³ /h
NCB 30x230	34 m ³ /h	42 m ³ /h	45 m ³ /h	56 m ³ /h
NCB 30x250	36 m ³ /h	44 m ³ /h	48 m ³ /h	60 m ³ /h
NCB 30x300	-	52 m ³ /h	60 m ³ /h	88 m ³ /h
NCB 30x350	-	64 m ³ /h	72 m ³ /h	94 m ³ /h

Airflow measured at 0 Pa and free air. Individual motor differences can occur.
 Standard for all motor types: Insulation class: B or H, Volt/Hz: 230/50 alt. 120/60.

News



Blower	A	B	C	D
NCB 30x106	104	114	124	40-60
NCB 30x150	148	158	168	40-60
NCB 30x200	198	208	218	40-60
NCB 30x230	228	238	248	40-60
NCB 30x250	248	258	268	40-60
NCB 30x300	302.6	312.6	322.6	40-60
NCB 30x350	352.6	362.6	372.6	40-60

Fergas New NCB30 range with integrated heater

- The markets smartest integrated blower / heater combination!
- Feature Fergas patented element attachment method for fast and reliable assembly
- Heater ratings up to 1200W depending on blower length
- Front to back measurement only 86 mm
- Very quiet operation
- Available in 120V 60Hz or 230V 50Hz versions
- UL resp. VDE approved motors

Blower	Motor: FER 1	Motor: FER 2	Motor: FER 3	Motor: FER 4
	Airflow	Airflow	Airflow	Airflow
NCB 30x106	20 m ³ /h	22 m ³ /h	24 m ³ /h	26 m ³ /h
NCB 30x150	26 m ³ /h	30 m ³ /h	34 m ³ /h	37 m ³ /h
NCB 30x200	32 m ³ /h	40 m ³ /h	43 m ³ /h	50 m ³ /h
NCB 30x230	34 m ³ /h	42 m ³ /h	45 m ³ /h	56 m ³ /h
NCB 30x250	36 m ³ /h	44 m ³ /h	48 m ³ /h	60 m ³ /h
NCB 30x300	-	52 m ³ /h	60 m ³ /h	88 m ³ /h
NCB 30x350	-	64 m ³ /h	72 m ³ /h	94 m ³ /h

Airflow measured at 0 Pa and free air. Individual motor differences can occur.
 Standard for all motor types: Insulation class: B or H, Volt/Hz: 230/50 alt. 120/60.